

[TopPage](#)>>[Search Result](#)>>7216BDB

# Angular Contact Ball Bearings

Bearing No. : **NACHI 7216BDB**

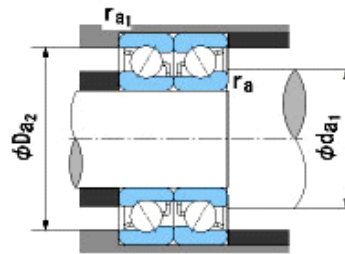
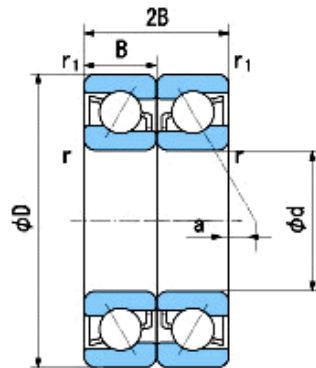
■ Bearing Type

■ Clearance

■ Tolerance Class

### Dimensions

d = 80 0  
-0.015  
D = 140 0  
-0.018  
B = 26 0  
0.000  
r = 2~3  
(Radial Direction)  
r = 2~4.5  
(Axial Direction)  
r1 = 1~1.9  
(Radial Direction)  
r1 = 1~3  
(Axial Direction)  
a = 33.2



### Dimensions

da1(min) = 90  
da2(min) = 86  
Da1(max) = 130  
Da2(max) = 134  
ra(max) = 2  
ra1(max) = 1  
Mass = 3 kg

Basic Dynamic Load Rating Cr : **135,000** N

Basic Static Load Rating Cor : **143,000** N

Limiting Speed ;

Grease Lubrication : **2,800** min<sup>-1</sup>

Oil Lubrication : **4,000** min<sup>-1</sup>

	INNER RING	OUTER RING
O.D.Surface Runout with Side :		-
Axial Runout with Bore :	-	-
Axial Runout with Raceway :	-	-
Width Variation :	<b>0.025</b>	<b>0.025</b>
Radial Runout :	<b>0.020</b>	<b>0.040</b>